

**DATA SHEET**

**CAPPER**

**Ref : 9747**

**Type :** CAPPER  
**Brand :** COUNTEC  
**Model :** SC-40  
**Serial N° :**  
**Year :** 2025  
**Quantity :** 1  
**Overall dimensions :** 2.80 x 1.40 x 2.10 M  
**Weight :** 1 300 Kg



---

**- SCREWER FOR BOTTLES**

**Description:**

New rotary capper-screw

Operational principle : Caps are loaded into a bowl feeder, aligned and fed to the chute escapement before being transferred to container. Caps are positively located on the bottle neck before the chuck descends to tighten the cap.

Machine consists :

- Cap presence control with alarm and visual lamp
- Torque control by servo motor drive
- Capping position spring cushion
- Vibratory feeder with stainless steel bowl
- Adjustable straight cap chute
- Torque can be adjusted with mechanical adjustment
- Precise container handling by Starwheel index
- No bottle/back up control sensor, stop machine and auto restart
- One set of cap/container format parts included
- Exchangeable spindle chuck for screw capping

Container :

- Diameter : 25 to 100 mm
- Height : 40 to 200 mm

Cap :

- Diameter : 25 to 70 mm
- Height : 10 to 30 mm

**DATA SHEET**

**CAPPER**

**Ref : 9747**

**Type :** CAPPER  
**Brand :** COUNTEC  
**Model :** SC-40  
**Serial N° :**  
**Year :** 2025  
**Quantity :** 1  
**Overall dimensions :** 2.80 x 1.40 x 2.10 M  
**Weight :** 1 300 Kg



---

**- SCREWER FOR BOTTLES**

**Description:**

- Speed Up to 35-40 bottles per minute
- Construction AISI 304 stainless steel meets GMP regulations
- Vibratory bowl capacity 45 Litres
- Control : PLC

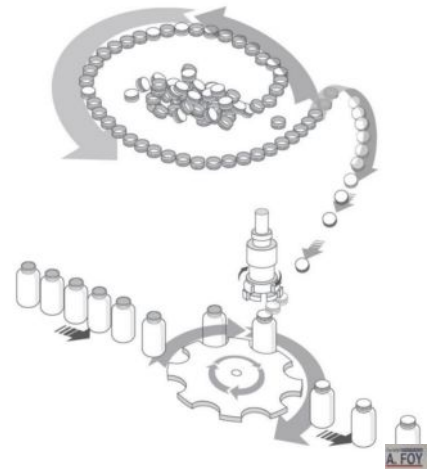
**Specifications :**

- Electricity supply 220 V, 1 phase, 50/60 Hz
  - Compressed air 6 kg/cm<sup>2</sup>
-

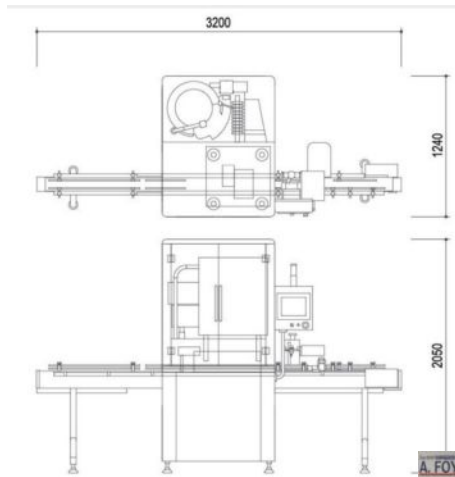
- SCREWER FOR BOTTLES



A. FOY



A. FOY



A. FOY

Video link

<https://www.youtube.com/embed/SNzKHZLpO2U?si=1xXDq7R-Gu3WksO6> title="YouTube video player"

