

DATA SHEET

LABELER

Ref : 9731

Type : LABELER
Brand : COUNTEC
Model : LB-120
Serial N° :
Year : 2025
Quantity : 1
Overall dimensions : 2.7 x 1.07 x 1.60 M
Weight : 350 Kg



Description:

Operational principle:

- Containers fed on belt conveyor and detected by container sensor are labeled wrap around. □
- Label roll loaded on the reel is pulled one by one through label sensor, □
- barcode check stage (option), print stage (option), print verification stage (option). □

Specification

- Bottle shape Round bottle
- Conveyor width 150mm
- Output speed Labeling – Max.120 bottles/min (Subject to trial).
- Based on bottle diameter 40mm and height 60mm
- Range of bottle size 30-100mm diameter & 40-200mm height
- Length of label 14 – 300mm
- Label width 25 – 100mm (Need to be informed for wider label)
- Label reel Max 270mm diameter
- Reel core 76mm diameter
- Label distance Over 3mm
- Label direction
- Speed control By inverter
- Control PLC and touch screen
- Electric power 220/380V, single phase, 50/60Hz

Machine Consists of:

- Labeling head unit
- Bottle conveyor
- Label reel control with stepping motor drive □
- Electric control with PLC & touch screen □

SOCIETE A.FOY - 4, RUE DES FOURS - 77230 THIEUX - France

Téléphone : 00 33 (0) 1 60 26 83 17

Email : info@foy.fr

www.foy.fr

DATA SHEET

LABELER

Ref : 9731

Type : LABELER
Brand : COUNTEC
Model : LB-120
Serial N° :
Year : 2025
Quantity : 1
Overall dimensions : 2.7 x 1.07 x 1.60 M
Weight : 350 Kg



Description:

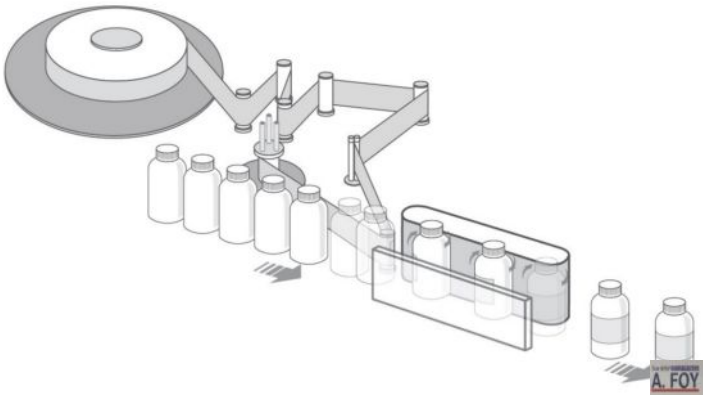
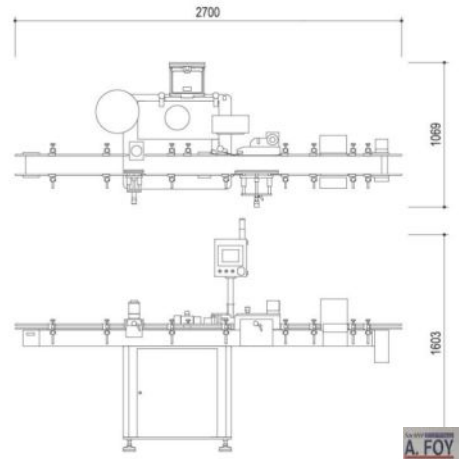
-Side gripper belt

Machine Features

- Adjustable bottle diameter & height with digital indicator
- Set production quantity
- Capable of non printed label as option
- Variable stop speed control

Safety Function

- Disconnection of label reel, machine stop
 - No label, machine stop
 - Emergency switch
 - Low air, machine stop
-



Video link

<https://www.youtube.com/embed/Ot8LfQu44gc> title="YouTube video player"

