

DATA SHEET

ELEVATOR

Ref : 9730

Type : ELEVATOR
Brand : COUNTEC
Model : TL-120
Serial N° :
Year : 2025
Quantity : 1
Overall dimensions : 1.60 x 1.41 x 2.75 M
Weight : 500 Kg



TABLET OR CAPSULE ELEVATOR WITH SWIVEL CHUTE FOR FILLING A SINGLE OR DOUBLE HOPPER

Description:

Operational principle:

- Product is placed in the twin hopper by rotating single chute.
 - Product flow is restricted by adjustable gate.
 - Product is moved by vibratory feeder to the lifting vessel.
- Upon demand, product is transported by pneumatic lift to the counter hopper.

Machine consists :

Product hopper

- Hopper volume : approx. 122 liter
- Bucket volume : approx. 13 liter
- Material AISI 316 L Stainless steel construction
- Level sensor Product level low, visual and sound alarm
- Caster wheel
- Gate adjustment for tablet feeding

Feeder

- FMC vibratory feeder

Lift vessel

- Material
- Level sensor

Pneumatic damper Festo

Machine features and safety function :

DATA SHEET

ELEVATOR

Ref : 9730

Type : ELEVATOR
Brand : COUNTEC
Model : TL-120
Serial N° :
Year : 2025
Quantity : 1
Overall dimensions : 1.60 x 1.41 x 2.75 M
Weight : 500 Kg



TABLET OR CAPSULE ELEVATOR WITH SWIVEL CHUTE FOR FILLING A SINGLE OR DOUBLE HOPPI

Description:

- PLC control
- Speed variable inverter
- Manual operation test mode
- Easy accessibility for cleaning If the utility power supply is higher than 220V, a transformer must be used.
- User-friendly control panel
- No air supply, visual and sound alarm
- Door open, machine stop

Specification :

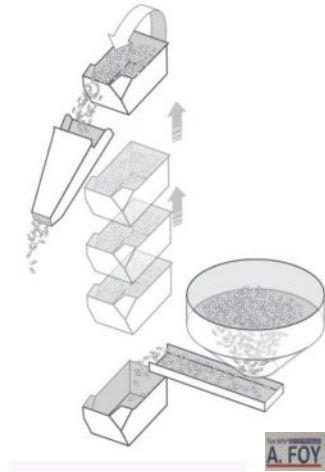
- Electricity supply 220V, 1 phase, 50/60 Hz
- If the utility power supply is higher than 220V, a transformer must be used.

Compressed air 6 kg/cm²

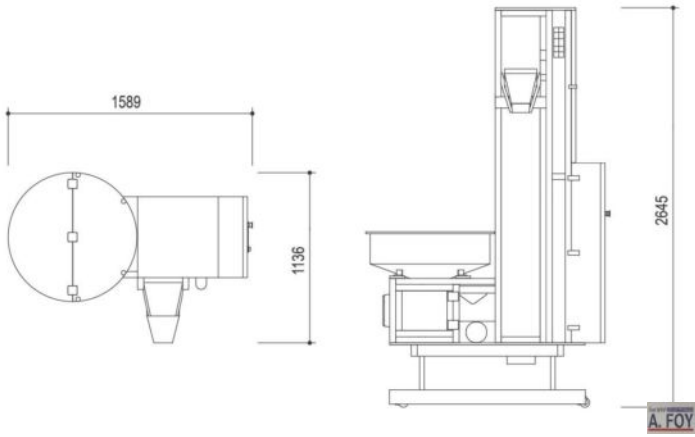
// TABLET OR CAPSULE ELEVATOR WITH SWIVEL CHUTE FOR FILLING A SINGLE OR DOUBLE



A. FOY



A. FOY



A. FOY

Video link

https://www.youtube.com/embed/f_flma2OsSM

