

DATA SHEET

CAPPER

Ref : 9747

Type : CAPPER
Brand : COUNTEC
Model : SC-40
Serial N° :
Year : 2024
Quantity : 1
Overall dimensions : 2.80 x 1.40 x 2.10 M
Weight : 1 300 Kg



Description:

Operational principle: Caps are loaded into a bowl feeder, aligned and fed to the chute escapement before being transferred to container. Caps are positively located on the bottle neck before the chuck descends to tighten the cap.

Machine consists:

- Cap presence control with alarm and visual lamp
- Torque control by servo motor drive
- Capping position spring cushion
- Vibratory feeder with stainless steel bowl
- Adjustable straight cap chute
- Torque can be adjusted with mechanical adjustment
- Precise container handling by Starwheel index
- No bottle/back up control sensor, stop machine and auto restart
- One set of cap/container format parts included
- Exchangeable spindle chuck for screw capping

Container:

- Diameter : 25 to 100 mm
- Height 40 to 200 mm

Cap:

- Diameter: 25 to 70 mm
- Height : 10 to 30 mm

- Speed Up to 35-40 bottles per minute
- Construction AISI 304 stainless steel meets GMP regulations
- Vibratory bowl capacity 45 Litres

DATA SHEET

CAPPER

Ref : 9747

Type : CAPPER
Brand : COUNTEC
Model : SC-40
Serial N° :
Year : 2024
Quantity : 1
Overall dimensions : 2.80 x 1.40 x 2.10 M
Weight : 1 300 Kg

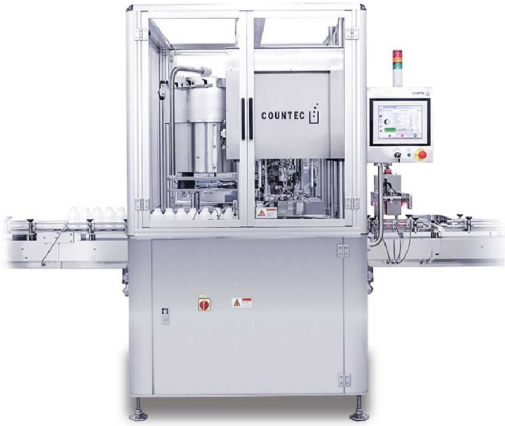


Description:

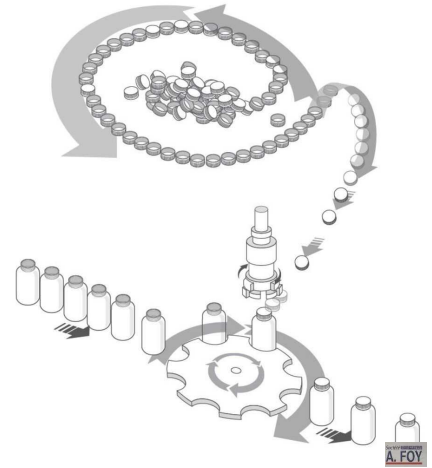
- Control: PLC

Specification:

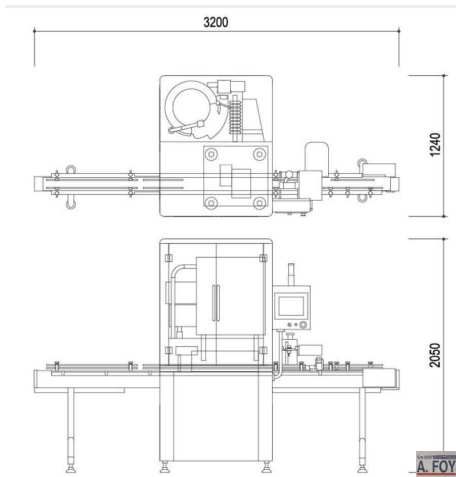
Electricity supply 220V, 1 phase, 50/60 Hz Compressed air 6 kg/cm²



A. FOY



A. FOY



A. FOY

Video link



https://www.youtube.com/embed/EXeznEpmP_o