

**DATA SHEET**

**CAPPER**

**Ref : 9731**

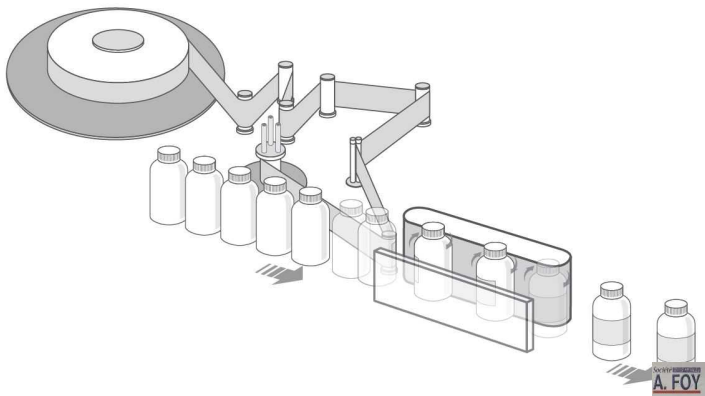
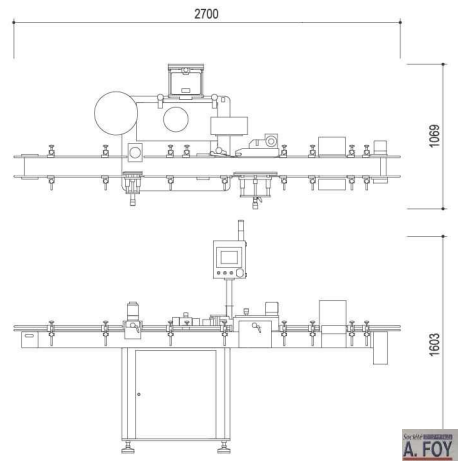
**Type :** CAPPER  
**Brand :** COUNTEC  
**Model :** LB-120  
**Serial N° :**  
**Year :** 2024  
**Quantity :** 1  
**Overall dimensions :** 2.7 x 1.07 x 1.60 M  
**Weight :** 350 Kg



---

**Description:**

---



Video link



<https://www.youtube.com/embed/Ot8LfQu44gc> title="YouTube video player"